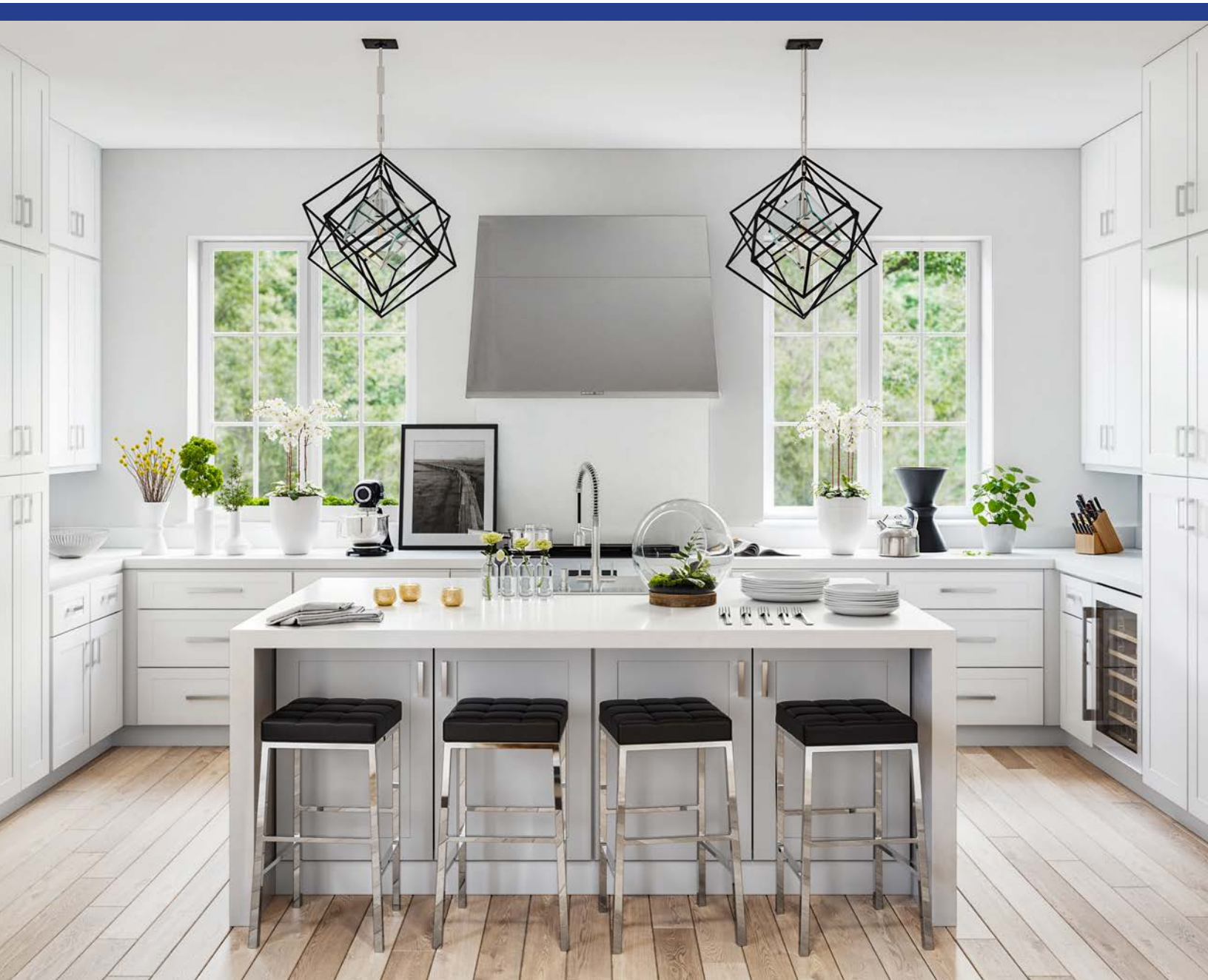




Shaker/Nano Catalog

Effective June 2025



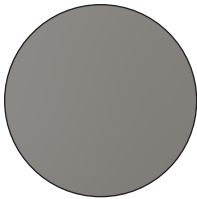
BUILT TOGETHER. BUILT TO LAST.

At Highland Cabinetry, we believe one cabinet can make all the difference. It can shape a customer's impression, impact a builder's reputation, and influence whether a client calls you back—or doesn't. That is why consistency is never optional for us. It is something we build into every product, every process, and every partnership. From the moment an order is placed to the final install, we are focused on helping you protect the trust you have worked so hard to earn. Because we own our entire supply chain, we control how materials are sourced, how every cabinet is crafted, and exactly when it leaves our facility. That level of control keeps your timelines reliable, your quality consistent, and your business running smoothly.

What truly sets Highland apart is the relationship we build with our customers. You will work with a dedicated account manager who understands the details of your business and helps make every order feel seamless. Our cabinets arrive complete, accurate, and ready to go—with no surprises. Behind the scenes, we are constantly investing in tools, service, and support that help you stay competitive and confident on every job. Everything we do is rooted in a culture of care, accountability, and pride in craftsmanship. When you choose Highland, you are not just buying cabinets. You are partnering with a team that is here to help you grow, protect your reputation, and build something that truly lasts.



SHAKER FINISHES



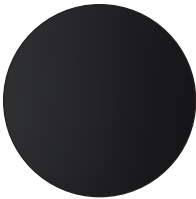
Grey
(Paint)



Luxe
(Stain)



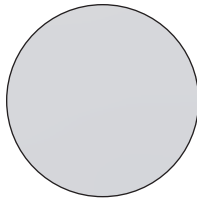
Modern Slate
(Stain)



Onyx Black
(Paint)



Signature Blue
(Paint)



White
(Paint)



Shaker Grey



Shaker Luxe



Shaker Modern Slate



Shaker Onyx Black



Shaker Signature Blue



Shaker White

DISCLAIMER

Product images, colors, and finishes shown in this catalog are for illustrative purposes only. Actual products may vary due to natural variations in woodgrain, paint, stains, and other finishes. Lighting conditions, printing processes, and digital displays may also affect how colors and textures appear. Highland Cabinetry reserves the right to change product specifications, designs, and finishes at any time without prior notice.



SHAKER GREY





SHAKER LUXE



SHAKER MODERN SLATE

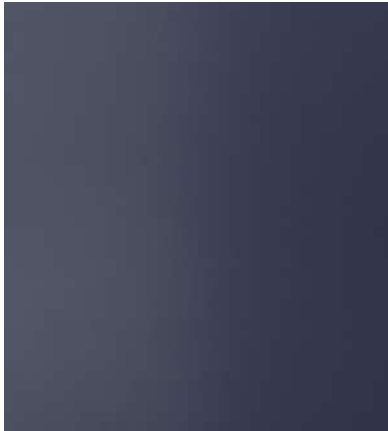


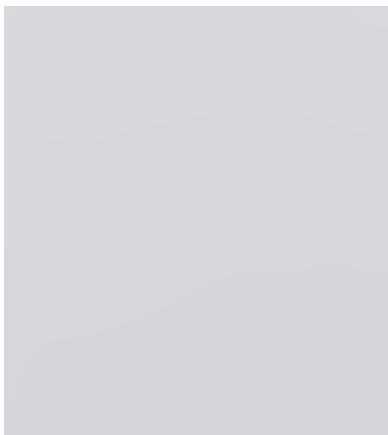


SHAKER ONYX BLACK



SHAKER SIGNATURE BLUE



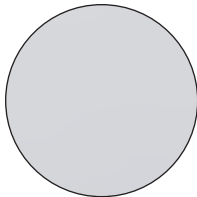


SHAKER WHITE

NANO FINISHES



Green
(Paint)



White
(Paint)



Nano Green



Nano White

DISCLAIMER

Product images, colors, and finishes shown in this catalog are for illustrative purposes only. Actual products may vary due to natural variations in woodgrain, paint, stains, and other finishes. Lighting conditions, printing processes, and digital displays may also affect how colors and textures appear. Highland Cabinetry reserves the right to change product specifications, designs, and finishes at any time without prior notice.



NANO GREEN



NANO WHITE

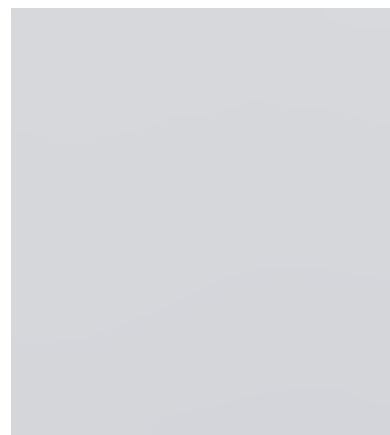


TABLE OF CONTENTS

Policies and Procedures.....	2
Construction Features.....	3
Wall Cabinets.....	4
Base Cabinets.....	17
Tall Cabinets.....	25
Vanity Cabinets.....	31
Trim.....	36
Fillers.....	37
Panels.....	38
False Doors.....	39
Mouldings.....	40
Accessories.....	42

POLICIES AND PROCEDURES

Design & Pricing Software

Highland Cabinetry Inc. offers a digital product catalog, including a version compatible with 2020 Design Software. These resources are available on our website at highlandcabinetry.com or upon request. Please note that Highland Cabinetry is not responsible for discrepancies between design software and actual pricing, or for issues resulting from inaccurate or incomplete customer-provided dimensions. We recommend verifying all measurements and specifications before placing an order.

Terms & Conditions

All pricing and specifications are subject to change without notice. Accepted payment methods include ACH, Check, Debit/Credit Card, or Account Credit with prior approval. To apply for credit, contact: accounting@highlandcabinetry.com.

Please note: Our stain offerings are crafted from real wood sources. As with any natural material, variations are to be expected. Actual stain colors and woodgrain patterns may differ slightly from digital renderings, marketing materials, and sample photos. Factors such as tree variations, stain absorption, and natural grain movement are beyond our control. These unique characteristics are part of the beauty of working with real wood and should not be considered defects.

Placing Orders

Orders may be submitted using our Excel order form, Customer Portal, or 2020 SKU lists. Orders will not be accepted over the phone. Dealers are responsible for verifying quote accuracy before approval. Orders ship based on available inventory unless otherwise noted. Changes or cancellations must be made within 24 hours of submission. Once assembled, all orders are non-refundable.

Delivery Options

- Pickup during business hours
- Highland Cabinetry delivery truck
- White-glove delivery (available in select markets for an additional fee)
- Common Carrier (scheduled by Highland or customer)
 - Preferred carriers must be requested at the time of order
 - Pallet fees apply; residential liftgates must be requested in advance.
 - Missed or refused deliveries may incur a rescheduling fee or storage costs.

Damages

Report damaged items within 30 days with photos and a sales order or PO number. Do not install damaged items. Installed or unreported damage is not eligible for credit. Without photos, full-price replacements will be charged, and credit issued once photos are received.

Lead Times & Cut-Offs

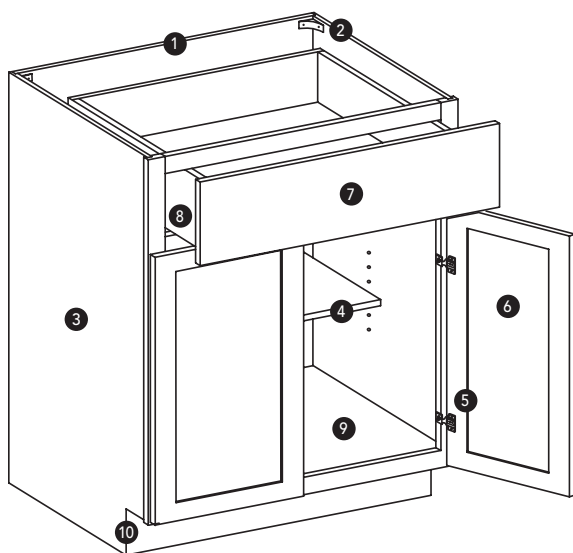
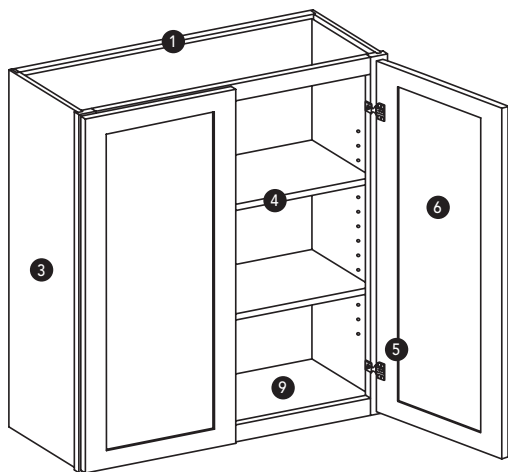
Cut-off time for same-day processing is 3:00 PM AZ time, Monday–Friday. Orders placed after this time will be processed the next business day.

Shipping Policies

If you arrange your own freight, Highland Cabinetry is not responsible for damage claims. Additional charges apply for challenging delivery conditions, missed pickups, and live loads.



CONSTRUCTION FEATURES



- ① **Back panel:** 5/8" thick cabinet-grade plywood. 3/4" thick stretchers applied to back of cabinet.
- ② **"L" bracket:** Reinforced base cabinets with 1/2" thick plywood sides for heavy countertops.
- ③ **End panel:** 1/2" thick cabinet-grade plywood.
- ④ **Shelves:** Adjustable metal shelf rest.
- ⑤ **Hinges*:** Six-way adjustable European-style hidden metal hinges.
- ⑥ **Doors:** 3/4" thick full overlay doors.
- ⑦ **Drawers:** Dovetail drawers with 1/2" thick solid wood sides. 5-piece drawer fronts.
- ⑧ **Glides:** Full extension, undermount, soft-close, steel concealed drawer guides.
- ⑨ **Finish:** Clear-coat UV finish throughout.
- ⑩ **Toekick:** 4 1/2" toekick.

*42" Wall cabinets will have 3 hinges. All other Wall cabinets standard with 2 hinges.

WALL CABINETS

WALL CABINET NOMENCLATURE

W361824

Cabinet Type
Cabinet Width
Cabinet Height
Cabinet Depth

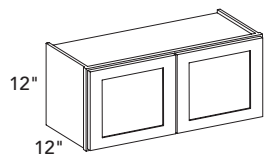
12" High Wall Cabinets	5
15" High Wall Cabinets	5
18" High Wall Cabinets	6
21" High Wall Cabinets	7
24" High Wall Cabinets	8
30" High Wall Cabinets	8
36" High Wall Cabinets	9
42" High Wall Cabinets	10
Wall Blind Corner Cabinets.....	11
Wall Diagonal Cabinets	12
Wall Easy Reach Cabinets.....	14
Wall Specialty Cabinets	15

- Standard wall cabinets are 12" deep.
- Refrigerator cabinets are 24" deep.

NOTE: Illustrations depict Full Overlay cabinets with butt doors.



12" Wall, Double Door



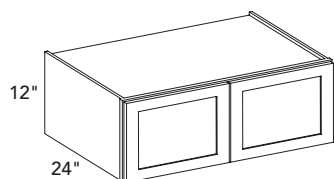
W3012

W3312

W3612

- Butt doors.

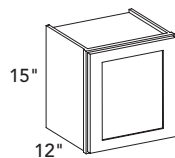
12" Wall Refrigerator, Double Door



W361224

- Butt doors.
- 24" depth cabinets must be securely fastened to wall through cabinet back and adjacent cabinets or wall through face frame or other proper mechanical fasteners.

15" Wall, Single Door

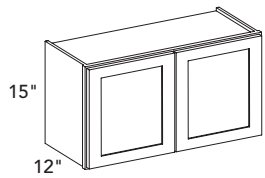


W1515

W1815

W2115

15" Wall, Double Door



W2415

W2715

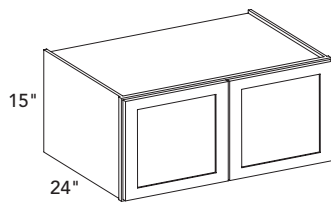
W3015

W3315

W3615

- Butt doors.

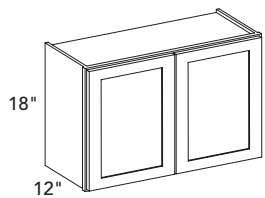
15" Wall Refrigerator, Double Door



W361524

- Butt doors.
- 24" depth cabinets must be securely fastened to wall through cabinet back and adjacent cabinets or wall through face frame or other proper mechanical fasteners.

18" Wall, Double Door



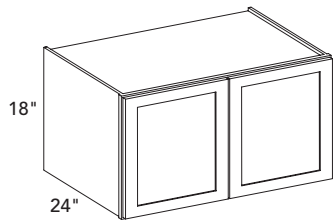
W3018

W3318

W3618

- Butt doors.

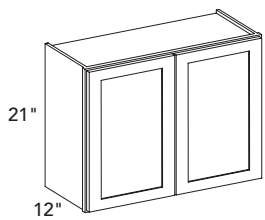
18" Wall Refrigerator, Double Door



W361824

- Butt doors.
- 24" depth cabinets must be securely fastened to wall through cabinet back and adjacent cabinets or wall through face frame or other proper mechanical fasteners.

21" Wall, Double Door



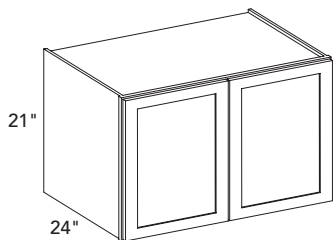
W3021

W3321

W3621

- Butt doors.

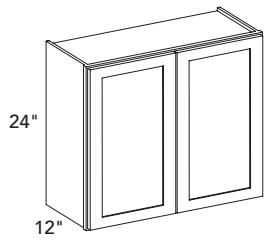
21" Wall Refrigerator, Double Door



W362124

- Butt doors.
- 24" depth cabinets must be securely fastened to wall through cabinet back and adjacent cabinets or wall through face frame or other proper mechanical fasteners.

24" Wall, Double Door



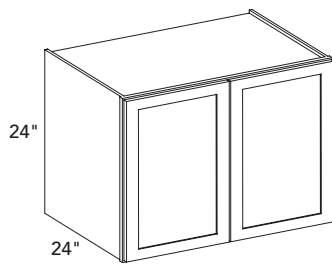
W3024

W3324

W3624

- Butt doors.
- One adjustable shelf.

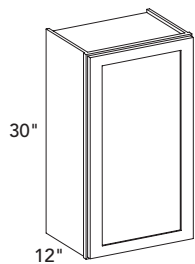
24" Wall Refrigerator, Double Door



W362424

- Butt doors
- One adjustable shelf.
- 24" depth cabinets must be securely fastened to wall through cabinet back and adjacent cabinets or wall through face frame or other proper mechanical fasteners.

30" Wall, Single Door



W0930

W1230

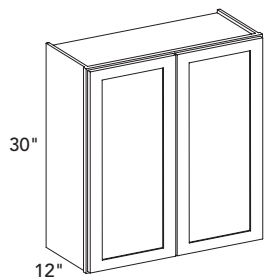
W1530

W1830

W2130

- Two adjustable shelves.

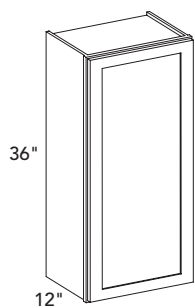
30" Wall, Double Door



W2430	W3330
W2730	W3630
W3030	W4230

- Butt doors.
- Two adjustable shelves.

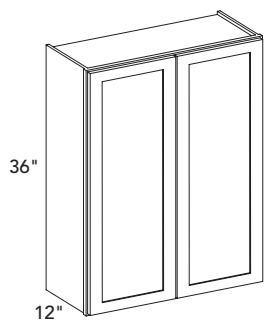
36" Wall, Single Door



W0936
W1236
W1536
W1836
W2136

- Two adjustable shelves.

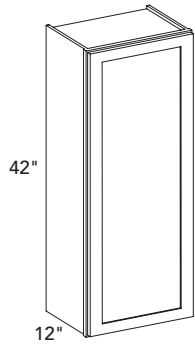
36" Wall, Double Door



W2436	W3336
W2736	W3636
W3036	W4236

- Butt doors.
- Two adjustable shelves.

42" Wall, Single Door



W0942

W1242

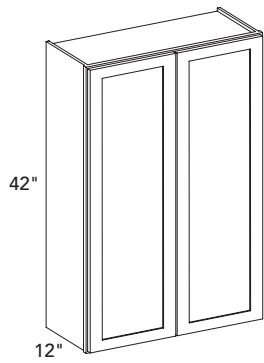
W1542

W1842

W2142

- Three adjustable shelves.

42" Wall, Double Door



W2442

W3342

W2742

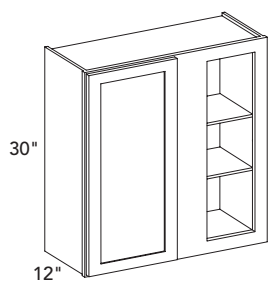
W3642

W3042

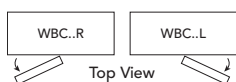
W4242

- Butt doors.
- Three adjustable shelves.

30" Wall Blind Corner, Single Door



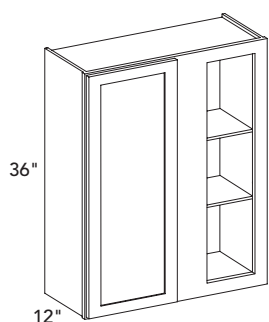
WBC3030R shown



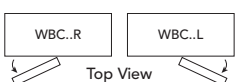
WBC3030

- Two adjustable shelves.
- 15" wide door.
- Pulls 30" off wall.
- L and R indicate location of void.
- Door hinged on same side as void.
- **No wall pull-out required;** installs flush without clearance issues.

36" Wall Blind Corner, Single Door



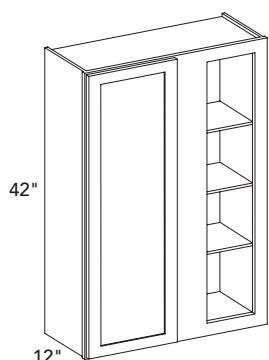
WBC3036R shown



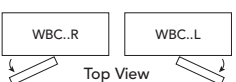
WBC3036

- Two adjustable shelves.
- 15" wide door.
- Pulls 30" off wall.
- L and R indicate location of void.
- Door hinged on same side as void.
- **No wall pull-out required;** installs flush without clearance issues.

42" Wall Blind Corner, Single Door



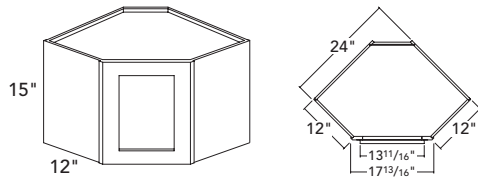
WBC3042R shown



WBC3042

- Three adjustable shelves.
- 15" wide door.
- Pulls 30" off wall.
- L and R indicate location of void.
- Door hinged on same side as void.
- **No wall pull-out required;** installs flush without clearance issues.

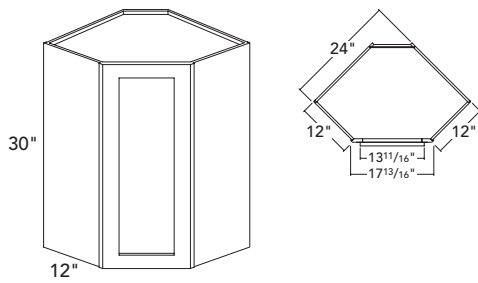
15" Wall Diagonal Cabinet



WDC2415

- Requires 24" x 24" of wall space.

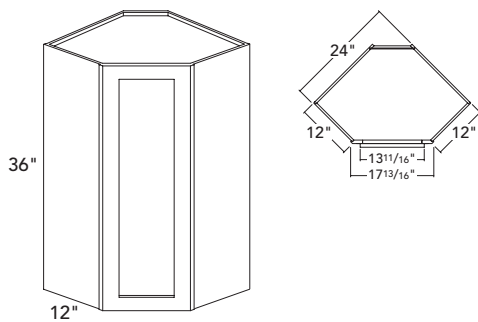
30" Wall Diagonal Cabinet



WDC2430

- Two adjustable shelves.
- Requires 24" x 24" of wall space.

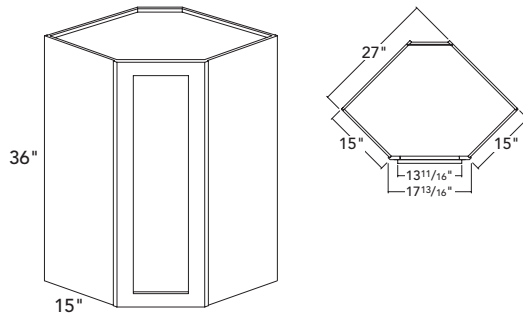
36" Wall Diagonal Cabinet



WDC2436

- Two adjustable shelves.
- Requires 24" x 24" of wall space.

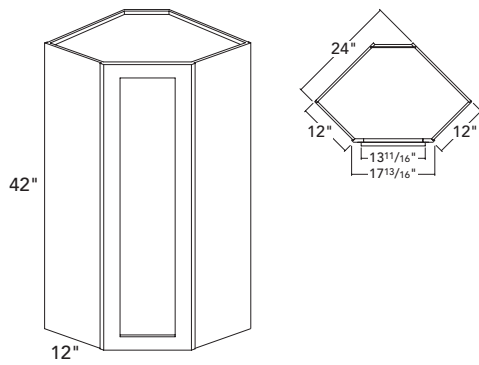
36" Wall Diagonal Cabinet, 15" Deep



WDC273615

- Two adjustable shelves.
- Requires 27" x 27" of wall space.

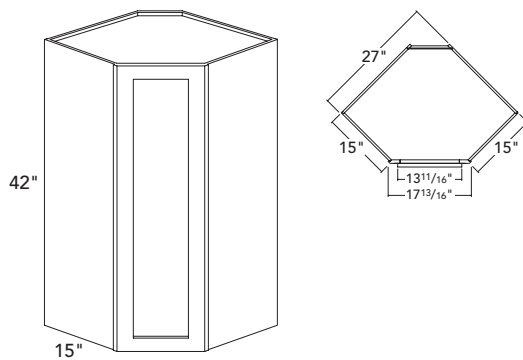
42" Wall Diagonal Cabinet



WDC2442

- Three adjustable shelves.
- Requires 24" x 24" of wall space.

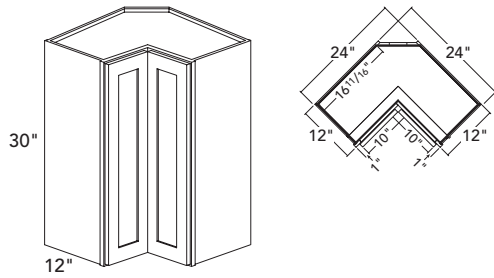
42" Wall Diagonal Cabinet, 15" Deep



WDC274215

- Three adjustable shelves.
- Requires 27" x 27" of wall space.

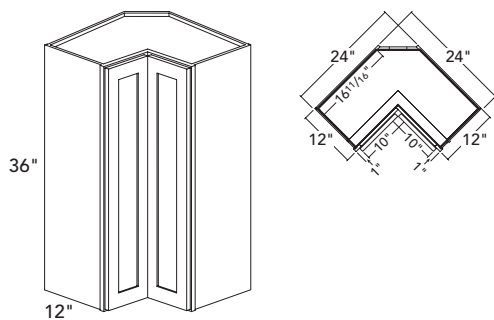
30" Wall Easy Reach



WLS2430

- Two adjustable shelves.
- Requires 24" x 24" of wall space.
- Does not include turntables.

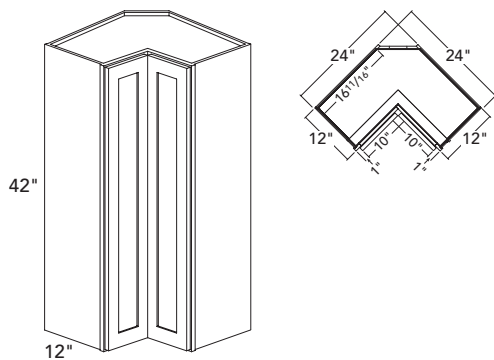
36" Wall Easy Reach



WLS2436

- Two adjustable shelves.
- Requires 24" x 24" of wall space.
- Does not include turntables.

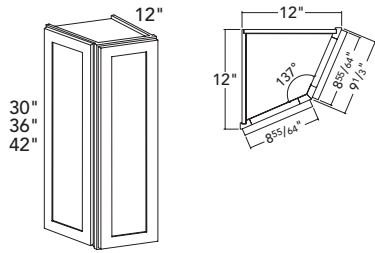
42" Wall Easy Reach



WLS2442

- Three adjustable shelves.
- Requires 24" x 24" of wall space.
- Does not include turntables.

Wall End Cabinet



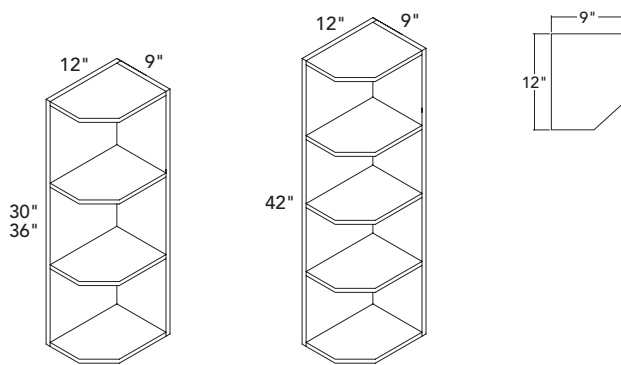
WEC1230

WEC1236

WEC1242

- Two adjustable shelves.

Wall End Shelf



WES930

WES936

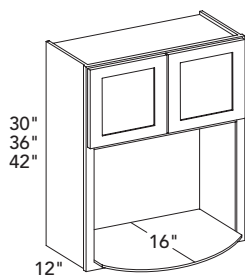
WES942

- Clipped corners.

WES930-WES936

WES942

Wall Microwave Cabinet



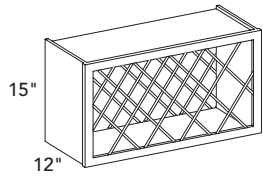
WMC2730

WMC2736

WMC2742

- Butt doors.
- Bottom shelf is 16" deep.

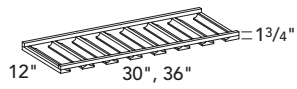
Wine Rack Cabinet



WRC3015

WRC3615

Wine Glass Rack



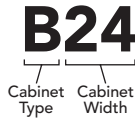
30GR

36GR

- Attaches under the cabinet.

BASE CABINETS

BASE CABINET NOMENCLATURE

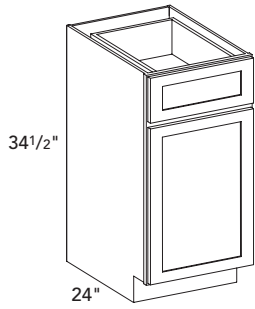


Base Cabinets with Drawers	18
Base Cabinets Full Height.....	19
Base Microwave Cabinets.....	19
Two Drawer Base Cabinets	20
Three Drawer Base Cabinets	20
Sink Base Cabinets.....	20
Base Blind Corner Cabinets.....	22
Base Lazy Susan Cabinets.....	22
Base Specialty Cabinets.....	23

- Standard base cabinets are 34½" high and 24" deep.

NOTE: Illustrations depict Full Overlay cabinets with butt doors.

Base, Single Door



B09

B12

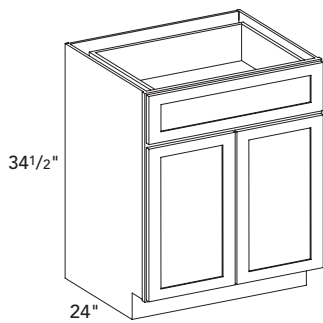
B15

B18

B21

- One adjustable shelf.

Base, Double Door



B24

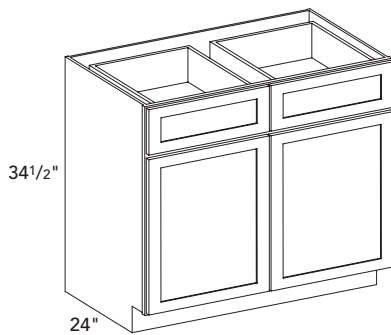
B27

B30

- Butt doors.
- One adjustable shelf.

BASE

Base, Double Door



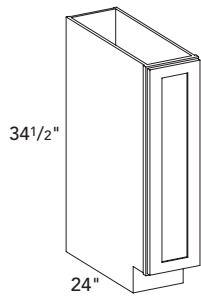
B33

B36

B42

- Butt doors.
- One adjustable shelf.

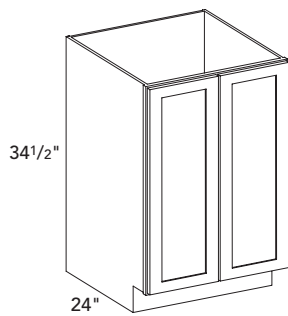
Base Full Height, Single Door



B09FHD

- One adjustable shelf.

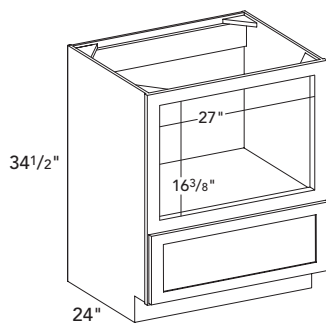
Base Full Height, Double Door



B24FHD

- Butt doors.
- One adjustable shelf.

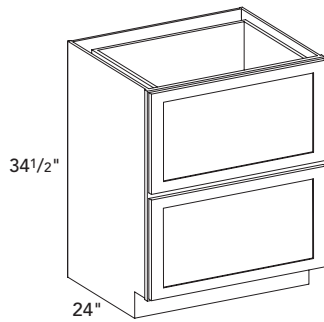
Base Microwave Cabinet with Drawer



BMC30

- Insert area for microwave is 27" x 16 3/8".

Two Drawer Base



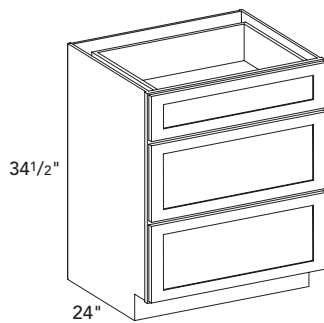
2DB24

2DB30

2DB36

- Two deep drawers.

Three Drawer Base



3DB12

3DB24

3DB15

3DB30

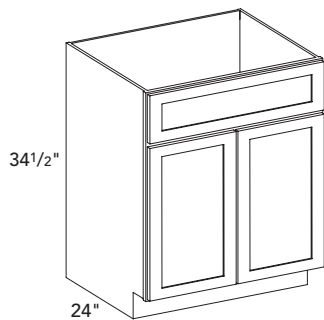
3DB18

3DB36

3DB21

- One shallow drawer, two deep drawers.

Sink Base, Double Door

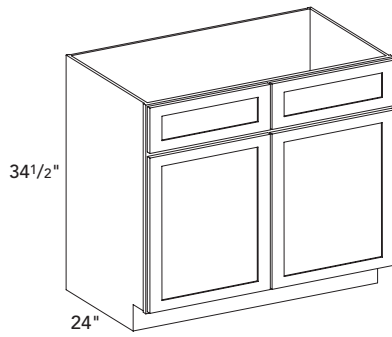


SB30

SB33

- Butt doors.
- Full back.
- One false drawer.

Sink Base, Double Door

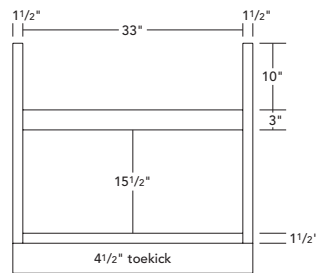
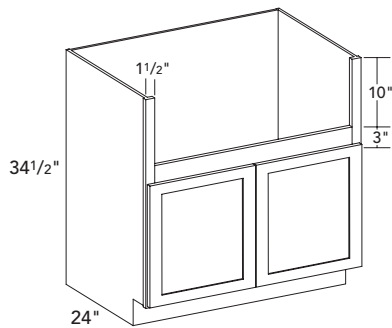


SB36

SB42

- Butt doors.
- Full back.
- Two false drawers.

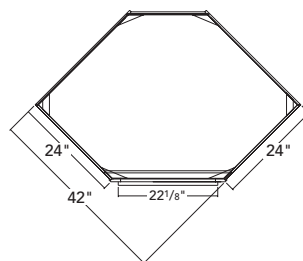
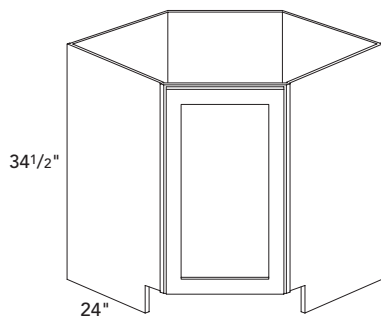
Farm Sink Base



FSM36

- Butt doors.
- 33" wide sink opening (void).

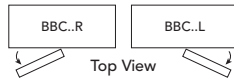
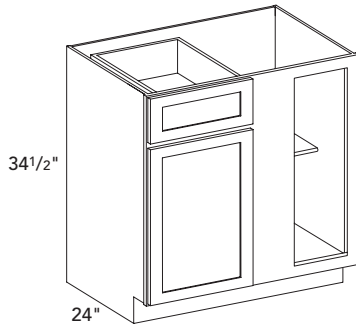
Corner Sink Base



CSB42

- 42" wide, 42" deep.

Base Blind Corner



BBC36R shown

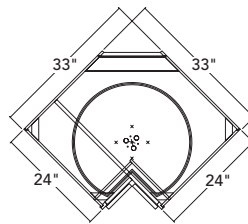
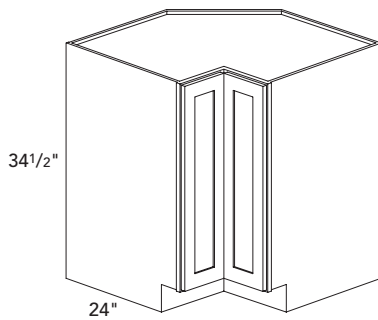
BBC36*

BBC42

- Cabinet can be pulled from wall.
- L and R indicate location of void.
- Door hinged on same side as void.

*BBC36 color options may vary.

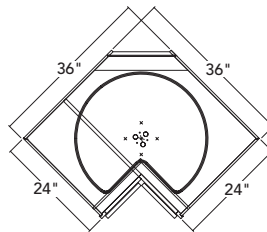
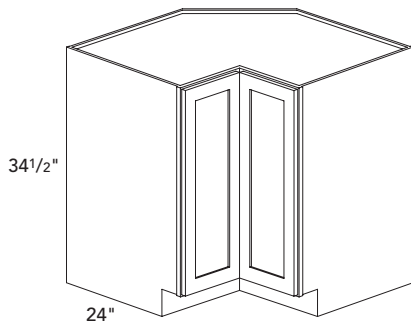
Base Lazy Susan, 33" x 33"



BLS33

- Includes two wooden turntables.

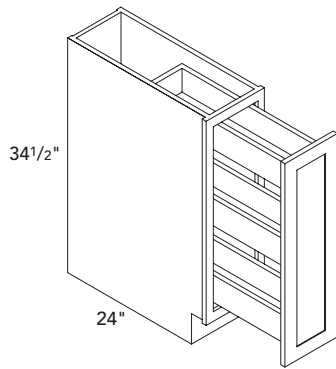
Base Lazy Susan, 36" x 36"



BLS36

- Includes two wooden turntables.

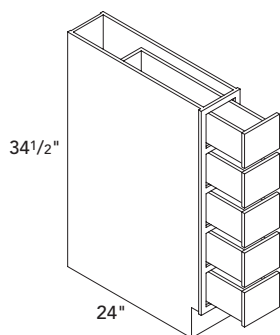
Base Spice Pull-Out



SP09

- Side mounted soft-close guides.

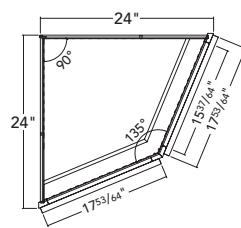
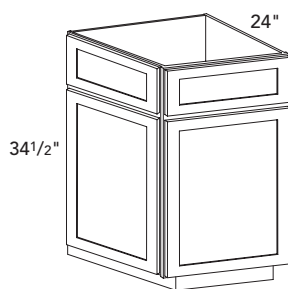
Base Spice Drawers



BWRC6

- Five drawers with universal slab drawer fronts.
- No glides.

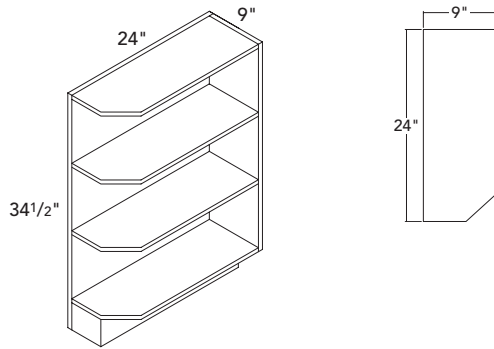
Base End Corner



BEC24

- Two doors, two false fronts.
- One adjustable full depth shelf.

Base End Shelf



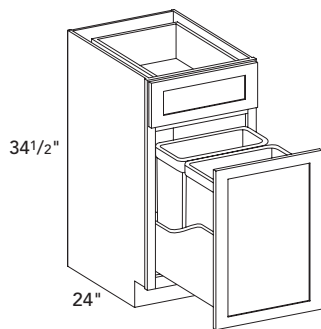
BES09R shown

BES09L

BES09R

- Specify Left (L) or Right (R).
- Clipped corners.

Base Trash Cabinet

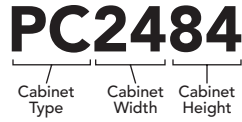


BWBK18-2

- Pull-out door.
- Two trash bins.

TALL CABINETS

TALL CABINET NOMENCLATURE

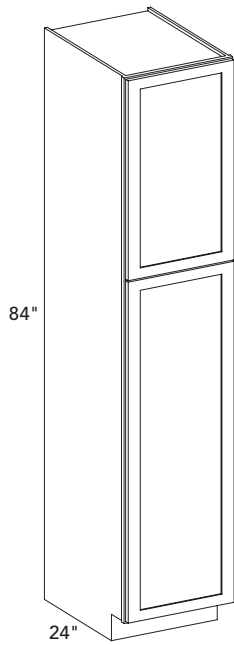


84" Pantry Cabinets.....	26
90" Pantry Cabinets.....	27
96" Pantry Cabinets.....	28
Tall Oven Cabinets.....	29

- Standard tall cabinets are 24" deep.

NOTE: Illustrations depict Full Overlay cabinets with butt doors.

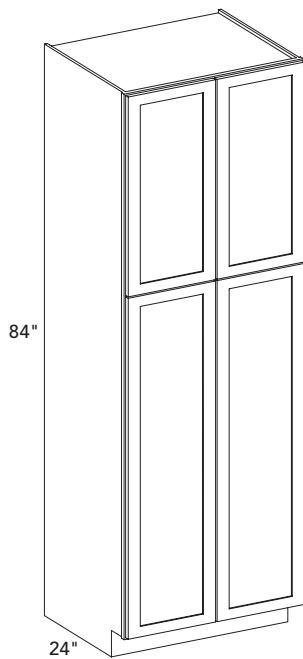
84" Pantry Cabinet, Single Door



PC1884

- One fixed shelf and four full depth adjustable shelves.

84" Pantry Cabinet, Double Door



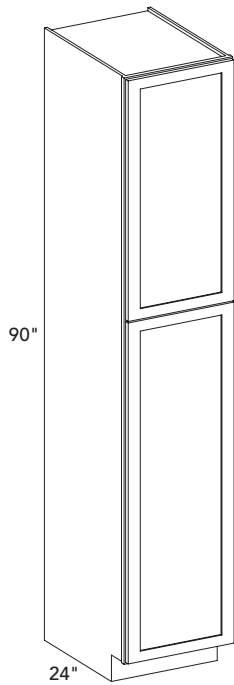
PC2484

PC3084

- Butt doors.
- One fixed shelf and four full depth adjustable shelves.

TALL

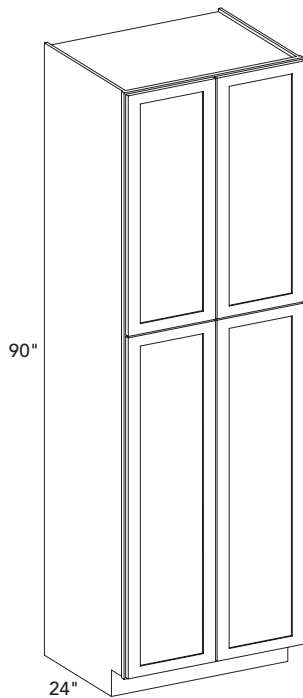
90" Pantry Cabinet, Single Door



PC1890

- One fixed shelf and four full depth adjustable shelves.

90" Pantry Cabinet, Double Door



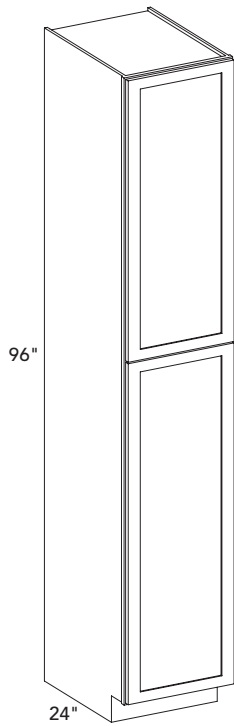
PC2490

PC3090

- Butt doors.
- One fixed shelf and four full depth adjustable shelves.

TALL

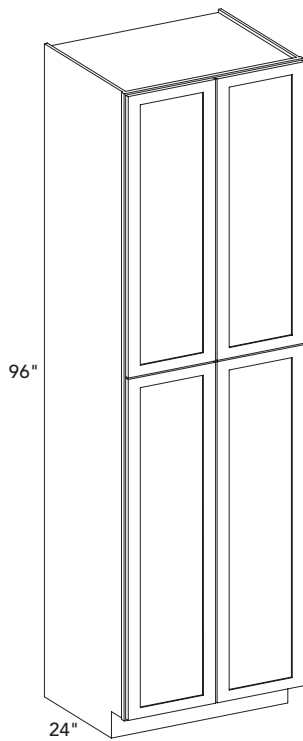
96" Pantry Cabinet, Single Door



PC1896

- One fixed shelf and four full depth adjustable shelves.

96" Pantry Cabinet, Double Door



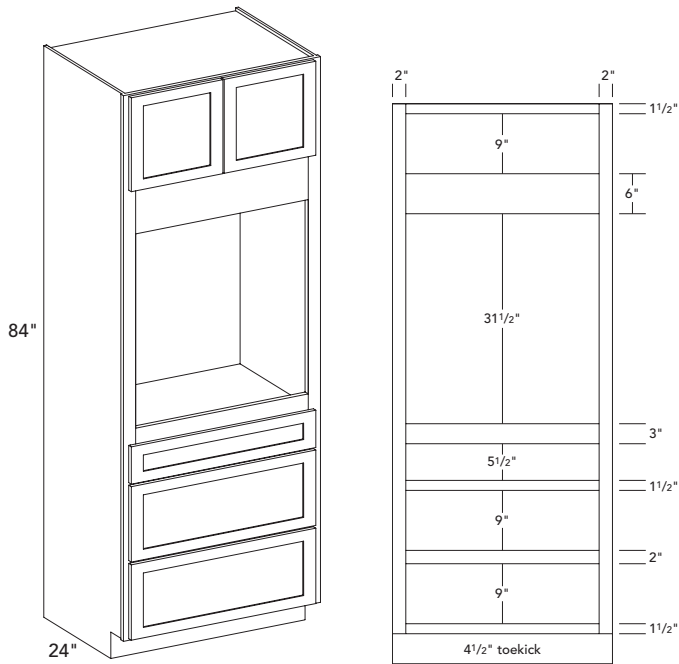
PC2496

PC3096

- Butt doors.
- One fixed shelf and four full depth adjustable shelves.

TALL

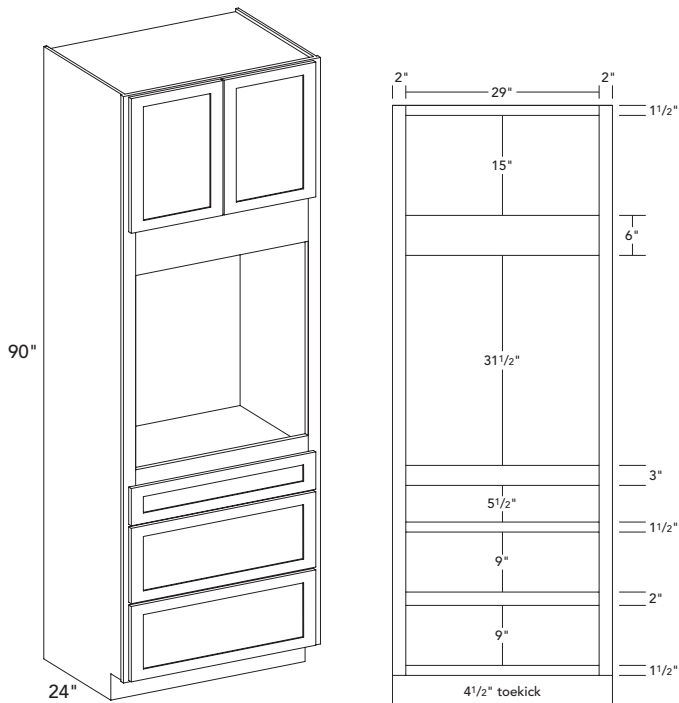
84" Oven Cabinet



OC3384

- Butt doors.
- Oven cut-out can be modified/cut in field.
- Maximum oven cut-out is same as the frame.
- Remove drawers for increased oven cut-out height.

90" Oven Cabinet

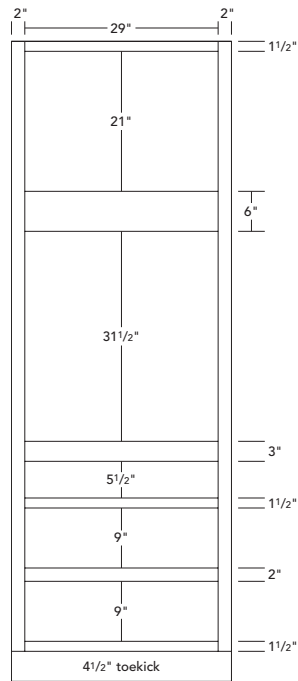
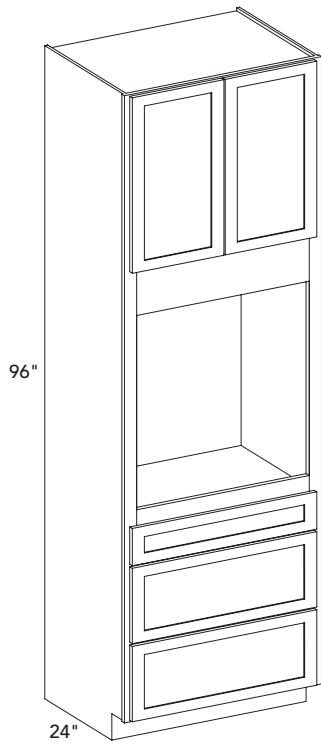


OC3390

- Butt doors.
- Oven cut-out can be modified/cut in field.
- Maximum oven cut-out is same as the frame.
- Remove drawers for increased oven cut-out height.

TALL

96" Oven Cabinet



OC3396

- Butt doors.
- Oven cut-out can be modified/cut in field.
- Maximum oven cut-out is same as the frame.
- Remove drawers for increased oven cut-out height.

TALL

VANITY CABINETS

VANITY CABINET NOMENCLATURE

VB12

Cabinet Type Cabinet Width

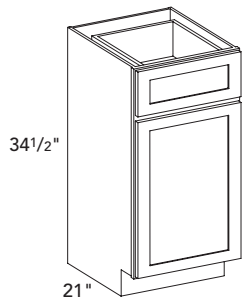
Vanity Base Cabinets with Drawers	32
Vanity Three Drawer Base Cabinets	32
Vanity Sink Base Cabinets.....	32
Kneehole Drawer	34
Vanity Towel/Linen Cabinets.....	35

- Standard vanity cabinets are 21" deep.

NOTE: Illustrations depict Full Overlay cabinets with butt doors.



34½" Vanity Base with Drawer, Single Door



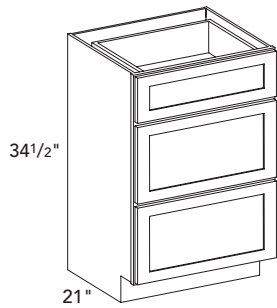
VB12

VB15

VB18

- One adjustable shelf.

34½" Vanity Three Drawer Base



VDB12

VDB15

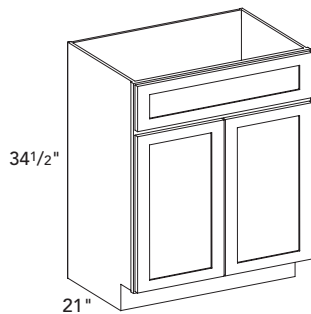
VDB18

VDB21

VDB24

- One shallow drawer, two deep drawers.

34½" Vanity Sink Base, Double Door



VSB24

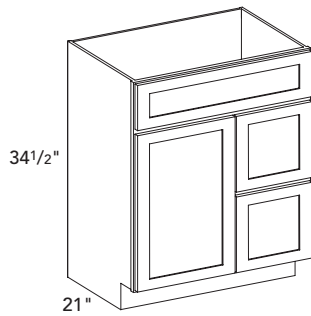
VSB27

VSB30

VSB36

- Butt doors.
- One adjustable shelf.
- Full back.
- One false drawer.

34½" Vanity Sink Base with Offset Bowl and Two-Drawer Stack, Single Door



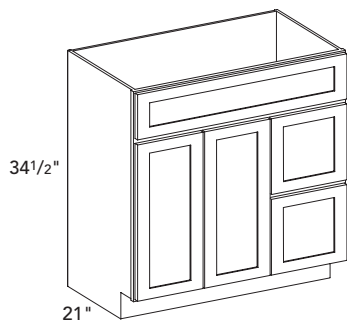
DR shown

VSD3021DL

VSD3021DR

- 30" wide single door.
- Two deep 12" wide drawers.
- Full back.
- DL and DR indicate location of drawer stack.

34½" Vanity Sink Base with Offset Bowl and Two-Drawer Stack, Double Door



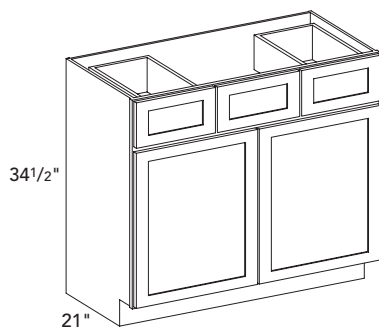
DR shown

VSD3621DL

VSD3621DR

- Butt doors.
- Two deep 12" wide drawers.
- Full back.
- DL and DR indicate location of drawer stack.

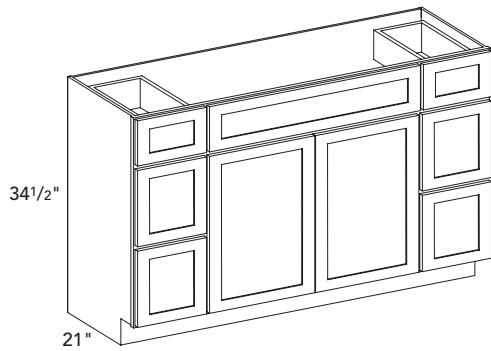
34½" Vanity Sink Base with Center Bowl and Two Drawers, Double Door



VSD4221

- Butt doors.
- One false center drawer.
- Full back.
- Recommend 18" vanity bowl.

34½" Vanity Sink Base with Center Bowl and Six Drawers

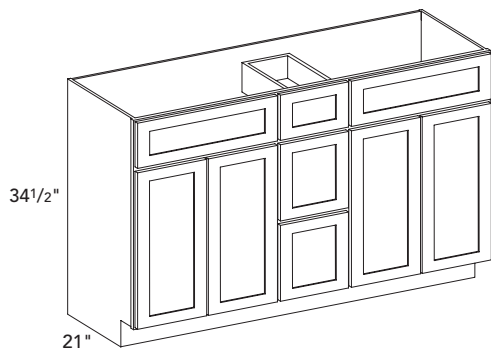


VSD4821D

VSD6021D

- Butt doors.
- VSD4821D: 12" wide drawers.
- VSD6021D: 15" wide drawers.

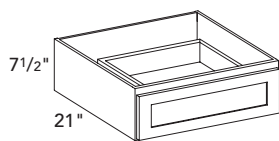
34½" Vanity Double Sink Base with Center Drawer Stack



VSD6021DD

- Butt doors.
- 12" wide drawers, two false fronts.
- Recommend 18" vanity bowl.

Kneehole Drawer

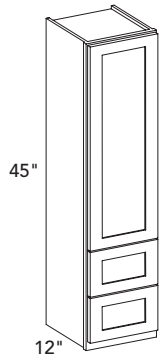


KD24

KD30

KD36

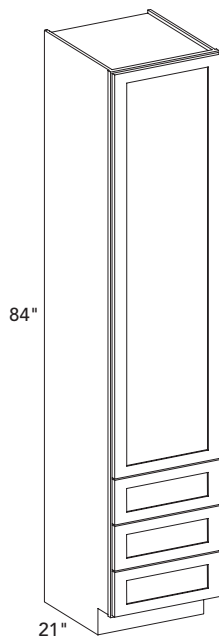
Vanity Towel



DV1245

- Two full depth adjustable shelves.
- Designed to set on countertop.

Vanity Linen



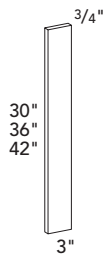
SVA188421

- Two full depth adjustable shelves.

TRIM

Fillers.....	37
Panels.....	38
False Doors	39
Mouldings	40
Accessories	42

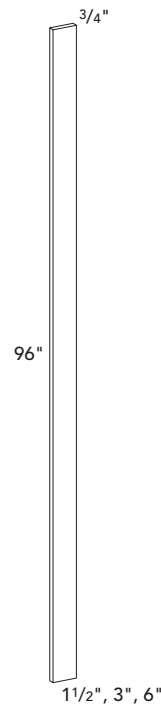
3" Wall Filler



- WF330
- WF336
- WF342

- Finished five sides.

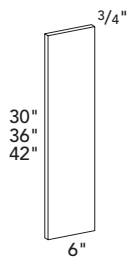
Tall Filler



- TF1.5-96
- TF3-96
- TF6-96

- One 8' section.

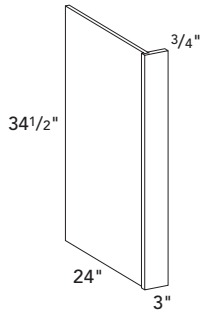
6" Wall Filler



- WF630
- WF636
- WF642

- Finished five sides.

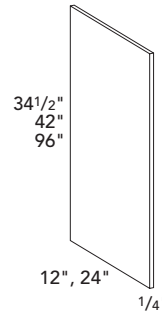
Dishwasher Return



DWR3

- Front filler shipped detached so panel is reversible.

Cabinet Skin



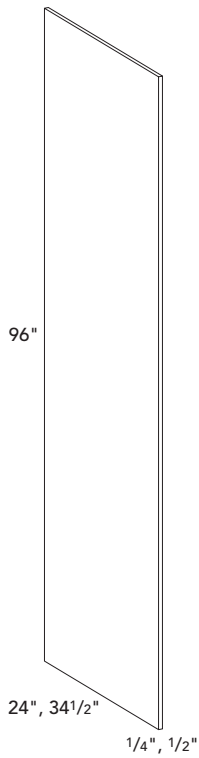
DEP12-42-1/4

DEP24-34.5-1/4

DEP24-96-1/4

- Use skin to finish the side of a cabinet.

Panel with Vertical Grain



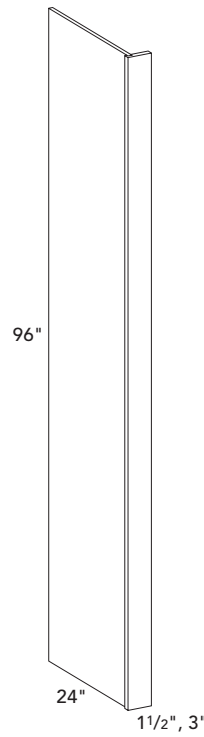
PNL24-96-1/4

PNL34.5-96-1/4

PNL34.5-96-1/2

- One 8' section.

Refer Panel with Return

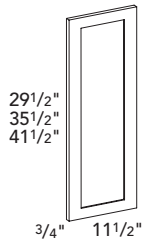


REP1.5-96

REP3-96

- One 8' section, plus filler.
- Order 6" filler if greater return required.

False Door

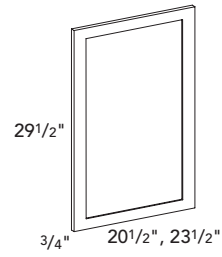


FD1230

FD1236

FD1242

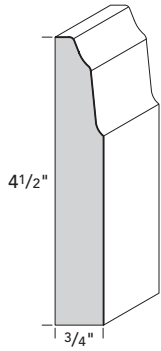
Base False Door



BFD21

BFD24

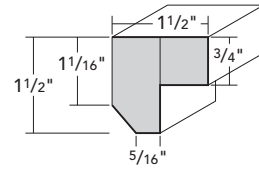
Base Moulding



BM8

- One 8' section.
- Bold line indicates finished edge.

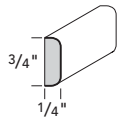
Light Rail Moulding



LM8

- One 8' section.
- Bold line indicates finished edge.

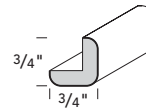
Batten Moulding



SDM8

- One 8' section.
- Bold line indicates finished edge.

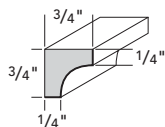
Outside Corner Moulding



OCM8

- One 8' section.
- Bold line indicates finished edge.

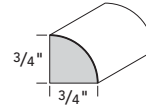
Cove Moulding



COVE MOLDING

- One 8' section.
- Bold line indicates finished edge.

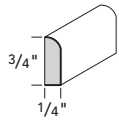
Quarter Round Moulding



QRM8

- One 8' section.
- Bold line indicates finished edge.

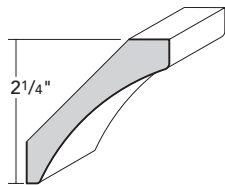
Scribe Moulding



SM8

- One 8' section.
- Bold line indicates finished edge.

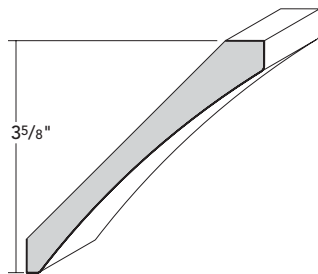
2 1/4" Shaker Crown Moulding



SCM 2 1/4

- One 8' section.
- Bold line indicates finished edge.

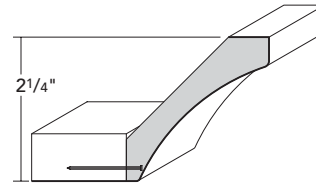
3 5/8" Shaker Crown Moulding



SCM 3 5/8

- One 8' section.
- Bold line indicates finished edge.

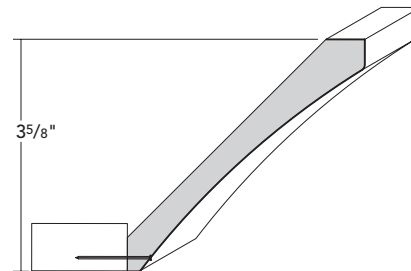
2 1/4" Shaker Crown Moulding with Heel



SCM 2 1/4 HEEL

- One 8' section, plus heel.
- Bold line indicates finished edge.
- Color options may vary.

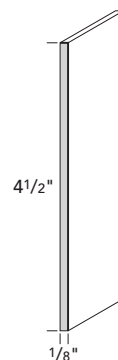
3 5/8" Shaker Crown Moulding with Heel



SCM 3 5/8 HEEL

- One 8' section, plus heel.
- Bold line indicates finished edge.
- Color options may vary.

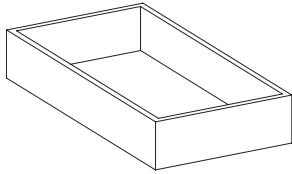
Toekick



TK8

- One 8' section.
- Bold line indicates finished edge.

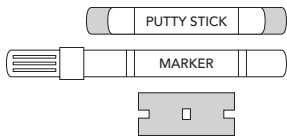
Roll-out Tray Kit



ROT15	ROT27
ROT18	ROT30
ROT21	ROT33
ROT24	ROT36

- Each kit includes one tray, plus hardware.
- Install in field.

Touch-up Kit



TOUCH UP KIT

- Includes 1 putty stick, 1 marker, and 1 plastic razor blade.

Paint



GALLON SPRAY CAN

- Not available in Luxe or Modern Slate.





© 2025 Highland Cabinetry Inc. • All Rights Reserved

DISCLAIMER

Product images, colors, and finishes shown in this catalog are for illustrative purposes only. Actual products may vary due to natural variations in woodgrain, paint, stains, and other finishes. Lighting conditions, printing processes, and digital displays may also affect how colors and textures appear. Highland Cabinetry reserves the right to change product specifications, designs, and finishes at any time without prior notice.